



**SPARE PARTS CATALOGUE
ERSATZTEILKATALOG
CATALOGUE PIECES DETACHEES
CATALOGO PARTI RICAMBIO
CATALOGO DE PIEZAS DE RECAMBIO
CATALOGO PECAS, DE REPOSICAO**

Catalogo parti di ricambio valido
dalla matricola 2876343 ad oggi (17/11/2021)

Catalogue pieces detachees
du numero de Série n. 2876343 jusqu'à aujourd'hui (17/11/2021)

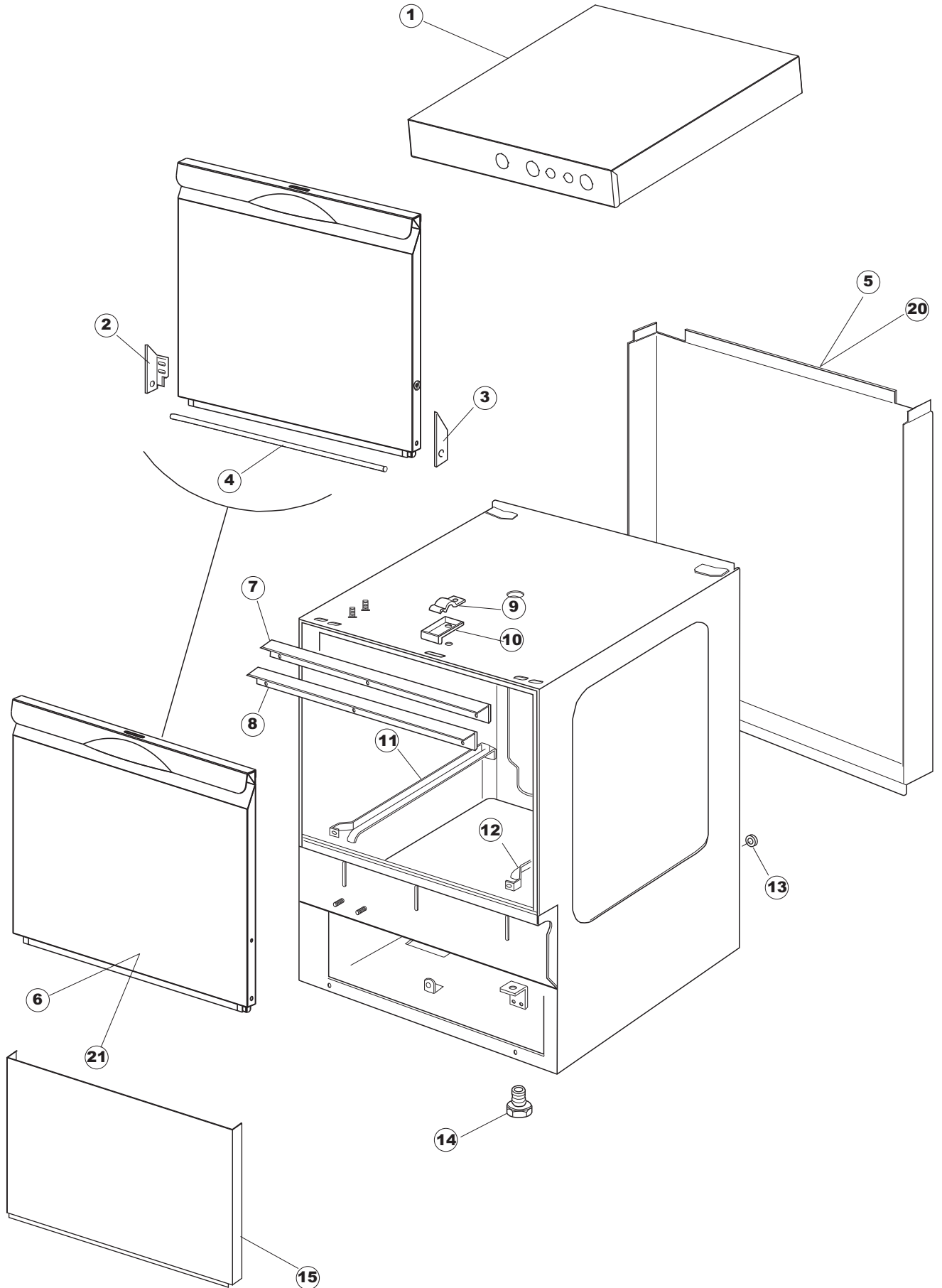
Ersatzteilkatalog
gültig ab Serien-Nr. 2876343 bis heute (17/11/2021)

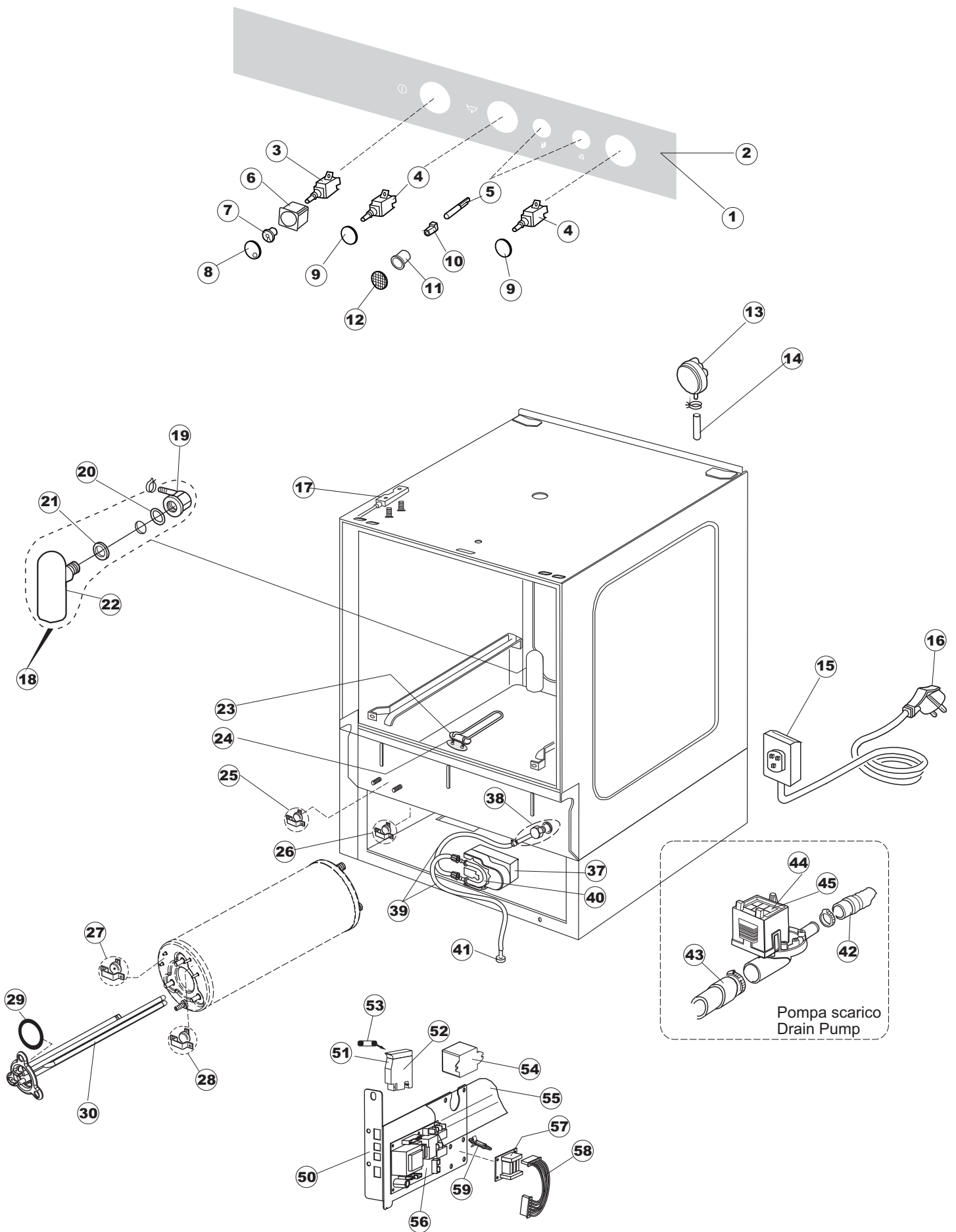
Spare parts catalogue
valid from serial no. 2876343 up today (17/11/2021)

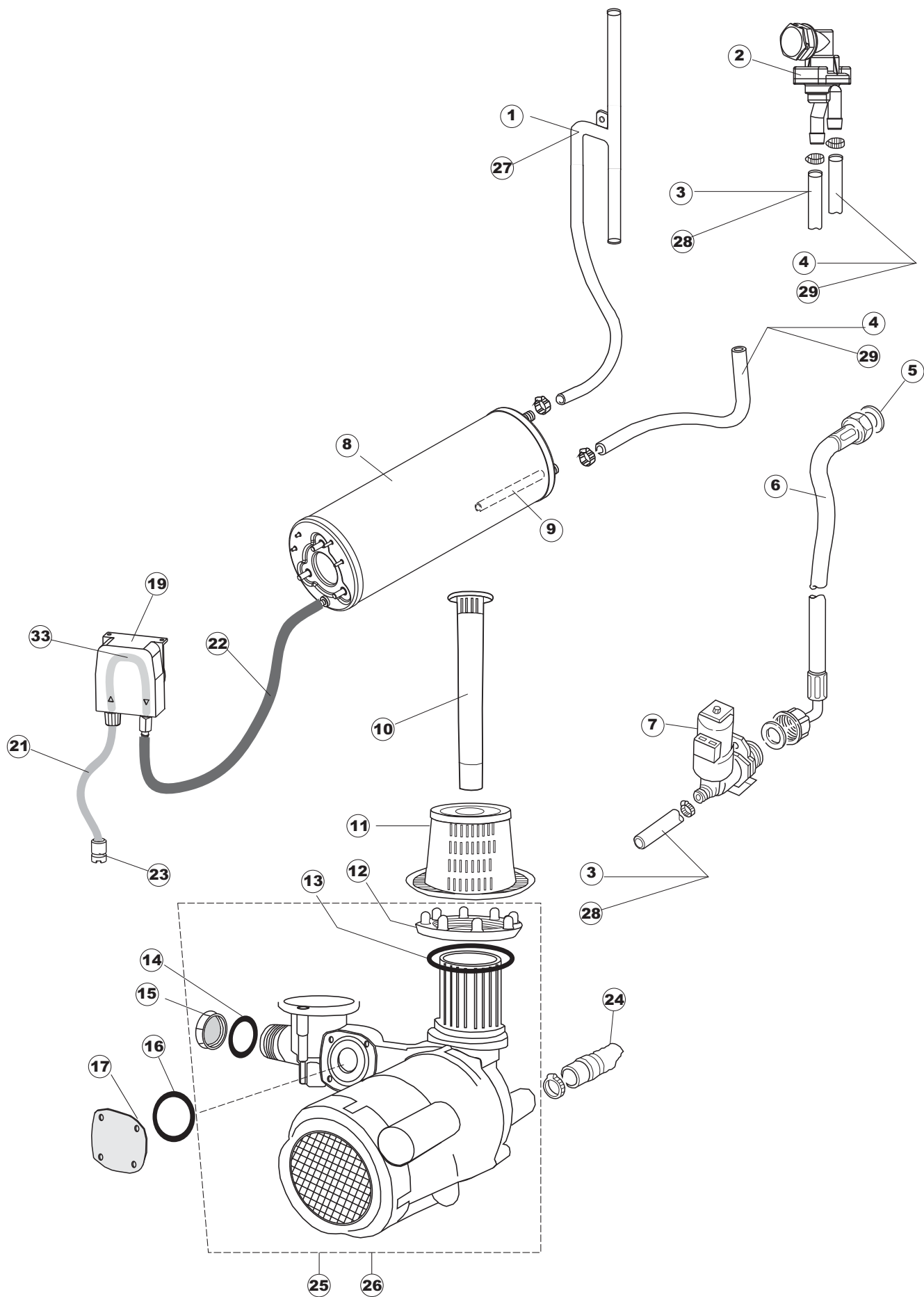
Catálogo de peças de reposição
válido do número de série 2876343 até hoje (17/11/2021)

V2035BD

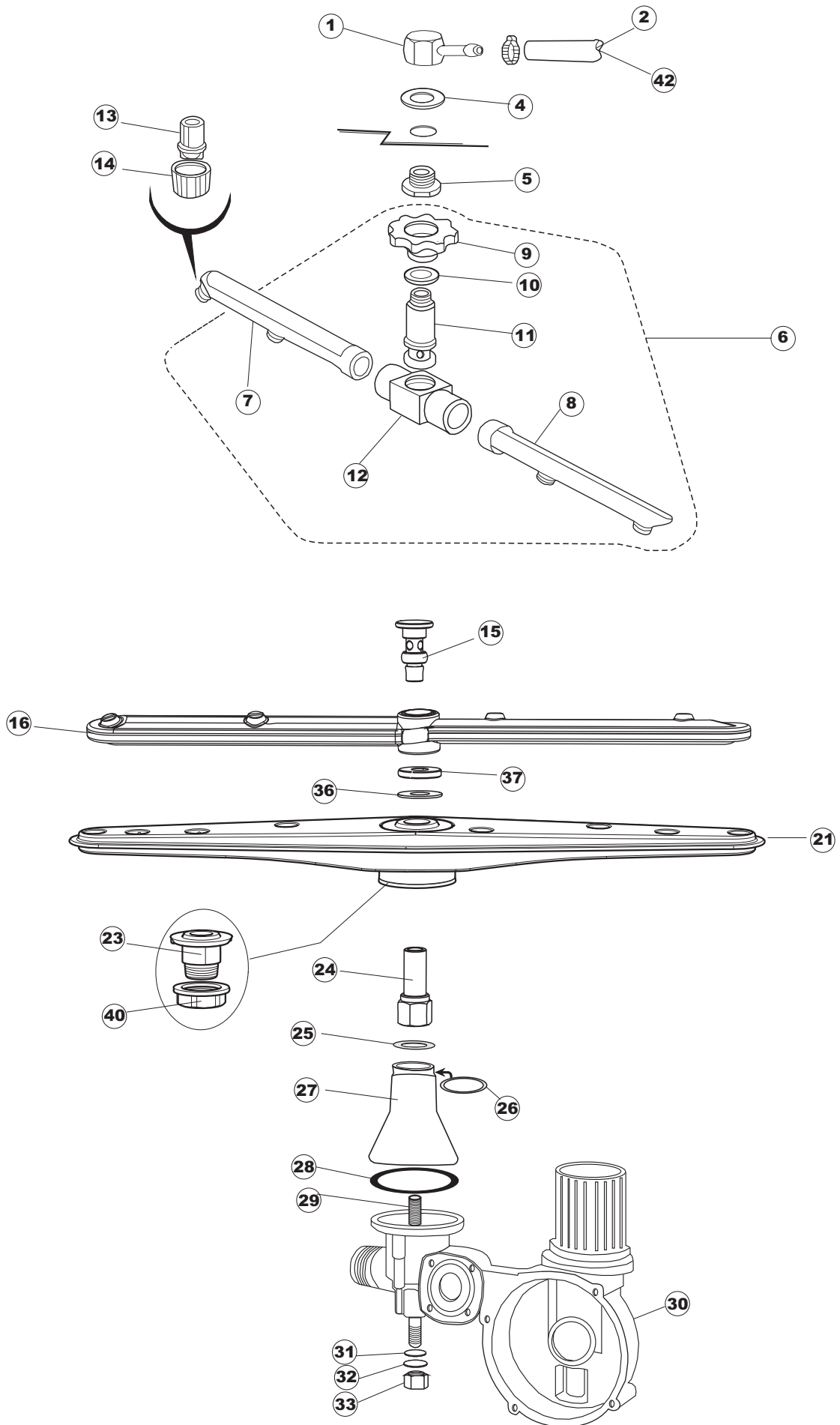
1

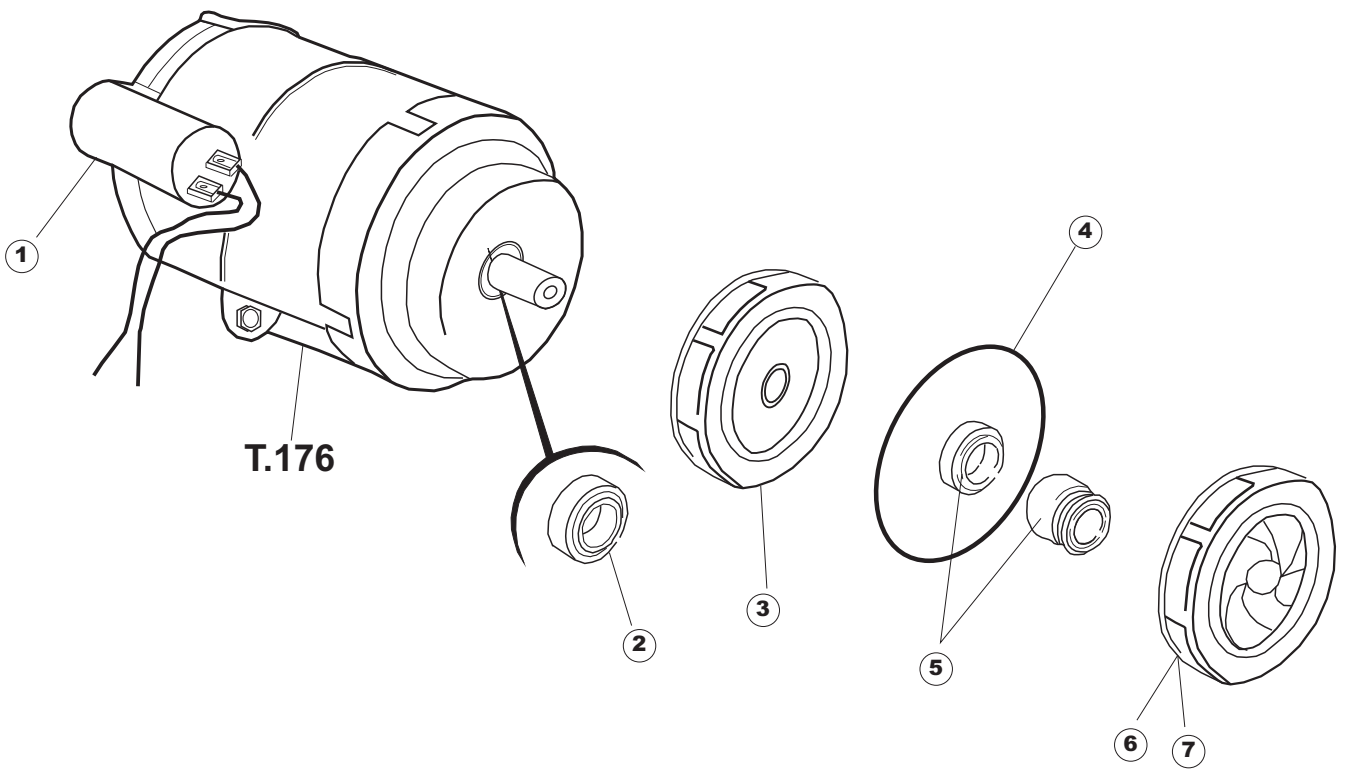






4





(*) Recommended spare part.

Page	Spare part position	Spare part code no.	Old code number	Description	U.m.
1	1	004243		COVER	NR
1	2	311009		RIGHT DOOR HINGE FOR GLASSWASHERS	NR
1	3	311008		RIGHT DOOR HINGE FOR GLASSWASHERS	NR
1	4	304017		PART NUMBER NO LONGER AVAILABLE	
1	5	022093		BACK PANEL	NR
1	6	029504		COMPLETE DOOR	NR
1	7	437057		DOOR GASKET FOR GLASSWASHER	NR
1	8	033291		DOOR GASKET BRACKET FOR GLASSWASHER	NR
1	9	449036		DOOR LOCK SPRING FOR GLASSWASHERS	NR
1	10	329012		DOOR LOCK FOR GLASSWASHERS	NR
1	11	015037		PRICE TO BE DEFINED	
1	12	015036		RIGHT RACK SLIDE	NR
1	13	459006		CHOCK D INT 9 EST 16	NR
1	14	461031		HEXAGONAL FOOT FOR GLASSWASHER	NR
1	15	012172		FRONT PANEL	NR
1	20	022136		BACK PANNEL E35 HIGH	NR
1	21	029496		COMPLETE DOOR	NR
2	1	026256		CONTROL ADHESIVE INTERFACE	NR
2	2	026257		CONTROL ADHESIVE INTERFACE	NR
2	3	208010		DOUBLE SWITCH	NR
2	4	226071		CYCLE PUSH-BUTTON - 2 CONTACTS	NR
2	5	216006		WHITE CONTROL LAMP	NR
2	6	226126		PUSH BUTTON CASE	NR
2	7	409003		2 COLOURS CAM	NR
2	8	227065		PART NUMBER NO LONGER AVAILABLE	
2	9	227064		BUTTON	NR
2	10	299035		PILOT LAMP SUPPPORT	NR
2	11	226110		PART NUMBER NO LONGER AVAILABLE	
2	12	207018		PART NUMBER NO LONGER AVAILABLE	
2	13	224004		PRESSURE SWITCH 35/17	NR
2	14	143013		PIPE	MT
2	15	459018		PART NUMBER NO LONGER AVAILABLE	

(*) Recommended spare part.

Page	Spare part position	Spare part code no.	Old code number	Description	U.m.
2	16	299040		PLUG SCHUCKO 90- CABLE 1=2,5 MT	NR
2	17	80871		MAGNETIC DOOR SWITCH	NR
2	18	984005		AIR TRAP, ASSY	NR
2	19	468029		AIR TRAP CONNECTION OF PRESSURE SWITCH	NR
2	20	456020		O-RING	NR
2	21	437019		PACKING FOR AIR TRAP OF PRESSURE SWITCH	NR
2	22	107005		AIR TRAP FOR PRESSURE SWITCH	NR
2	23	230098		TANK HEATING ELEMENT	NR
2	24	437086		PACKING OF THE TANK RESISTANCE	NR
2	25	236035		CONTACT THERMOSTAT TANK	NR
2	26	236047		SAFETY TANK THERMOSTAT 95C	NR
2	27	236039		SAFETY THERMOSTAT FOR BOILER	NR
2	28	236059		WORKING BOILER THERMOSTATE 70	NR
2	29	456075		O-RING	NR
2	30	230113		HEATING ELEMENT	NR
2	37	209039		PRICE TO BE DEFINED (PART NR. REPLACED BY 209043C)	
2	37	209043C		DETERGENT DOSING PUMP	NR
2	38	999348		DETERGENT TANK FITTING	NR
2	39	143194		PIPE	MT
2	40	143267		PIPE	NR
2	41	121993		FILTER AID DISPENSER	NR
2	42	143137		DRAIN HOSE	NR
2	43	127054		DRAIN HOSE	NR
2	44	130178		PRICE TO BE DEFINED (PART NR. REPLACED BY 999364)	
2	44	999364		DRAIN PUMP + BRACKET 220/240-50HZ	NR
2	45	130183		DRAIN PUMP 60HZ	NR
2	50	035114		.	NR
2	51	210010		FUSE-HOLDER	NR
2	52	210011		PLATE	NR
2	53	228014		PRICE TO BE DEFINED (PART NR. REPLACED BY 228010)	
2	53	228010		FUSE	NR
2	54	229040		RELAY	NR

(*) Recommended spare part.

Page	Spare part position	Spare part code no.	Old code number	Description	U.m.
2	55	214077		TRANSP. SAFETY PLATE 44	NR
2	56	215034-6		MAIN BOARD	NR
2	57	215036		EXPANSION CARD FOR ADD-ONS	NR
2	58	203424		WIRING	NR
2	59	461028		FOOT BOARD SUPPORT	NR
3	1	143238		"T" PIPE	NR
3	2	144030		NO RETURN VALVE	NR
3	3	143243		PIPE	NR
3	4	143244		PIPE	NR
3	5	437041		GASKET	NR
3	6	143270		INLET WRAS PIPE	NR
3	7	240011		FILL VALVE	NR
3	8	104056		BOILER	NR
3	9	143228		PIPE	NR
3	10	142051		OVERFLOW PIPE	NR
3	11	121144		PUMP ASPIRATION FILTER	NR
3	12	429065		RING NUT	NR
3	13	437079		GASKET	NR
3	14	437082		CLOSING PLUG GASKET	NR
3	15	480054		WASH-CLOSING CAP - UPPER - 10	NR
3	16	437078		GASKET	NR
3	17	480087		PLUG	NR
3	19	209037		PRICE TO BE DEFINED (PART NR. REPLACED BY 209034)	
3	19	209034		RINSE AID-DISPENSER	NR
3	21	H.775601		PIPE	MT
3	22	143005		LINEN RUBBER PIPE 5X12 - BLACK	MT
3	23	121149		FILTER DISPENSER	NR
3	24	143120		DRAIN HOSE	NR
3	25	999134		WASH-BODY UNIT AND PUMP	NR
3	26	999136		WASH-BODY UNIT AND PUMP	NR
3	27	143239		PIPE	NR
3	28	143236		PIPE	NR

(*) Recommended spare part.

Page	Spare part position	Spare part code no.	Old code number	Description	U.m.
3	29	143237		PIPE	NR
3	33	143266		PIPE	NR
4	1	468165		UPPER RINSE PIPE CONNECTOR	NR
4	2	143238		"T" PIPE	NR
4	4	437078		GASKET	NR
4	5	429050		RING NUT	NR
4	6	993031		RINSE ASSEMBLY	NR
4	7	106035		LEFT RINSE ARM	NR
4	8	106036		RIGHT RINSE ARM	NR
4	9	429008		RING NUT	NR
4	10	437008		PACKING FOR RINSING - UPPER	NR
4	11	325001		PIVOT	NR
4	12	129002		RINSE-ARM SUPPORT - UPPER	NR
4	13	140007		RINSE-NOZZLE FOR GLASSWASHER (S6514)	NR
4	14	429006		RING NUT	NR
4	15	80700		PIVOT	NR
4	16	129077		RINSE ARM	NR
4	21	990121		WASH ASSEMBLY	NR
4	23	417129		UNION NUT WASH/RINSE ARM	NR
4	24	325102		PIVOT	NR
4	25	199052		SHUTTER WATER CIRCULAR	NR
4	26	303018		SEALING AND SLIDING RING CL.3	NR
4	27	115110		MAIN MANIFOLD	NR
4	28	456061		O-RING	NR
4	29	478056		SUPPORT FOR WASHING PIN COMB FOR GLASSWA	NR
4	30	111023		LOWER ASSEMBLY FOR GLASSWASHER	NR
4	31	456019		O-RING	NR
4	32	456006		O-RING	NR
4	33	417104		PART NUMBER NO LONGER AVAILABLE	
4	36	437117		WASHER	NR
4	37	80697		RING NUT	NR
4	40	308031		RING NUT	NR

(*) Recommended spare part.

Page	Spare part position	Spare part code no.	Old code number	Description	U.m.
4	42	143239		PIPE	NR
5	1	206010		CAPACITOR	NR
5	2	314009		WASH-PUMP BEARING	NR
5	3	315024		PRICE TO BE DEFINED	
5	4	456074		O-RING	NR
5	5	141007		WASH PUMP SHAFT SEAL FOR GLASSWASHER	NR
5	6	124048		ELECTROPUMP IMPELLER	NR
5	7	124050		PUMP IMPELLER 60HZ T176	NR